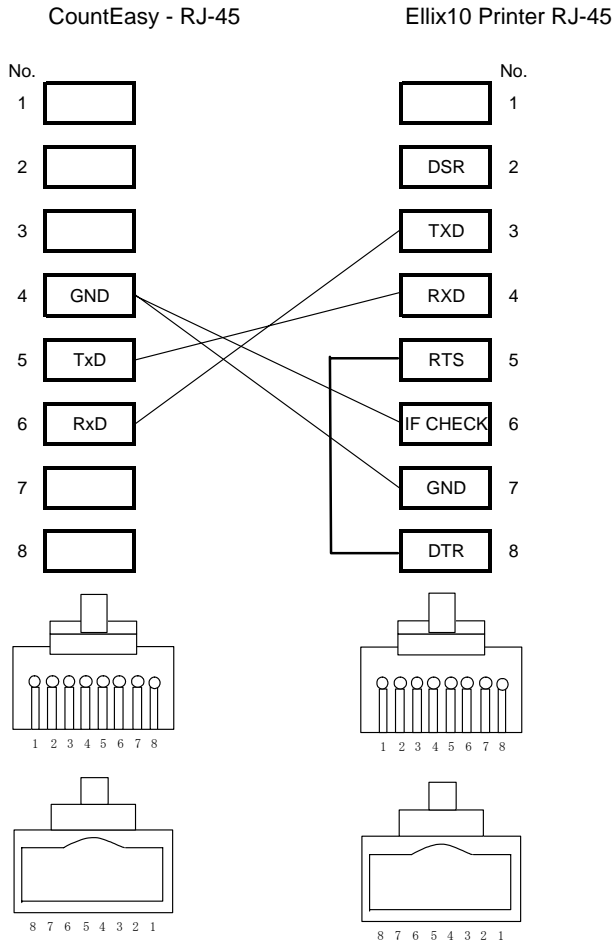


# ELLIX 10 to CountEasy

## Cable & Connections

### CountEasy to Ellix10



## DIP Switch Settings

<b>DIP SW1</b>		1	2	3	4	5	6	7	8
ON							X		
OFF	X	X	X	X	X			X	X

<b>DIP SW2</b>		1	2	3	4	5	6	7	8
ON						X			
OFF	X	X	X	X			X	X	X

## Special Instructions

1. Set to 9600 BAUD (see switch settings above)
2. Must use ELLIX 10 software Version CRS 1.05