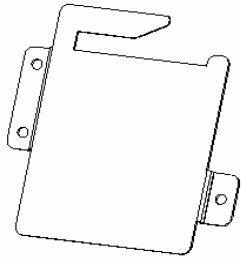


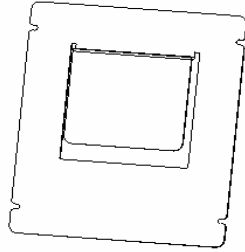
A. Wall-mount parts list

A complete set of wall-mount parts is included in a packing box as below:

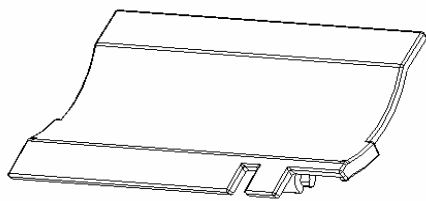
- | | |
|--------------------|-------------------------|
| 1. Bracket | One pc (see Fig.No.1.1) |
| 2. Fixed hook | One pc (See Fig.No.1.2) |
| 3. Paper roll tray | One pc (See Fig.No.1.3) |
| 4. Screw | Four pcs |



No.1.1 Bracket



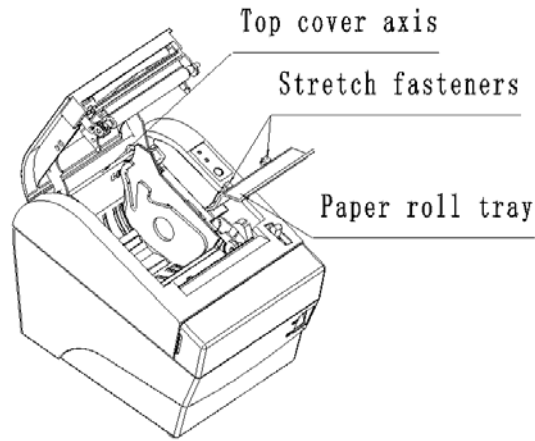
No.1.2 Fixed hook



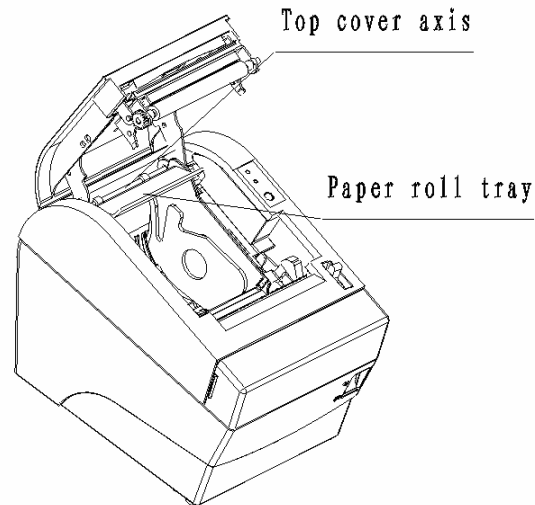
No.1.3 Paper roll tray

B. Installing the paper roll tray

1. Open the printer top cover, then snap the two claws of the paper roll tray on the shaft of the printer top cover (See Fig.No.2.1);
2. Fig. No.2.2 shows the position that the paper roll tray is assembled in the printer.



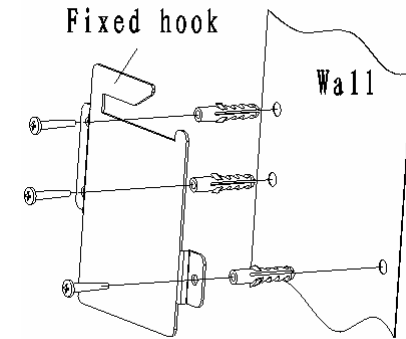
No.2.1



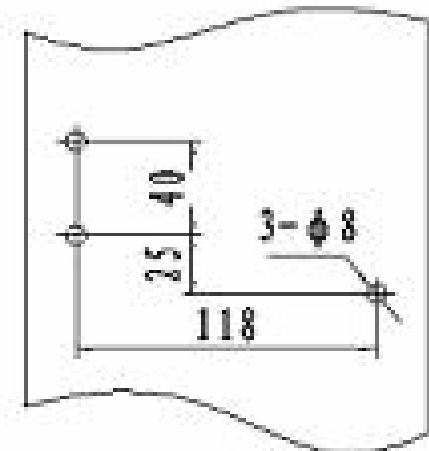
N.2.2

C. Mounting the fixing plate

Drill three 8mm holes and insert three pieces of 8mm plastic tube into the until flush, then tight the fixed hook against the wall in using three ST4.8x30 screws (See Fig.No.3.1). See Fig.No.3.2. for wall hole locations.



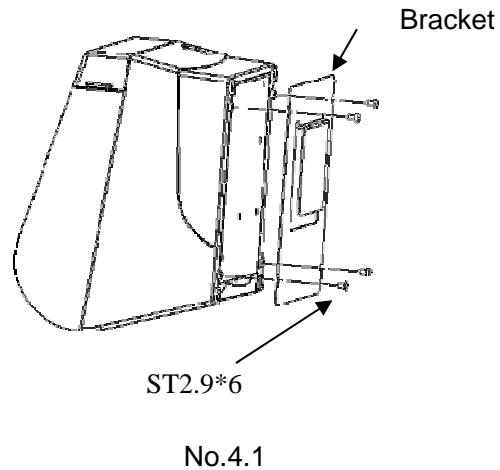
No.3.1



No.3.2

D. Mounting the hanging plate

After closing the printer top cover, mount the Bracket on the bottom of the printer in using four ST2.9x6 screws referring to Fig. No 4.1.



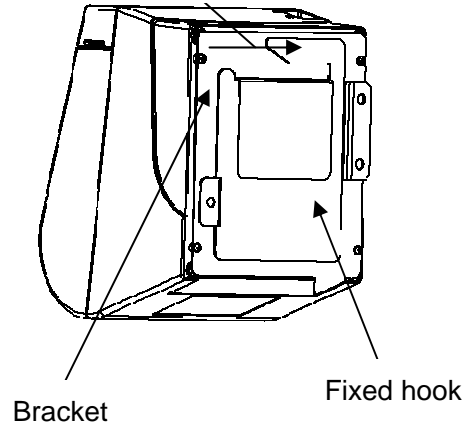
Notice:

The bracket must be mounted according to the direction mentioned in above figure. Please do not use the reverse direction.

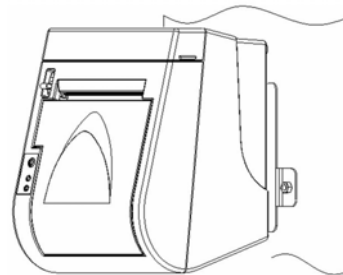
E. Mounting the printer

Insert the hanging plate on the printer into the right opening of the fixing plate against the wall (see Fig. No.5.1) until the printer cannot move toward the left (see Fig. No.5.2).

Mounting direction



No.5.1



No.5.2

Notice:

When wall-mounted, the printer can only be oriented as shown in Fig No.5.2, otherwise the printer will not run normally.

SNBC BTP-2002NP WALL MOUNT GUIDE



【Content】

- A. Wall-mount parts list 1
- B. Assembling the paper roll holder... 2
- C. Mounting the fixing plate 3
- D. Mounting the hanging plate..... 4
- E. Mounting the printer..... 4