

Hisense

HS710

Fully Featured Self Checkout System

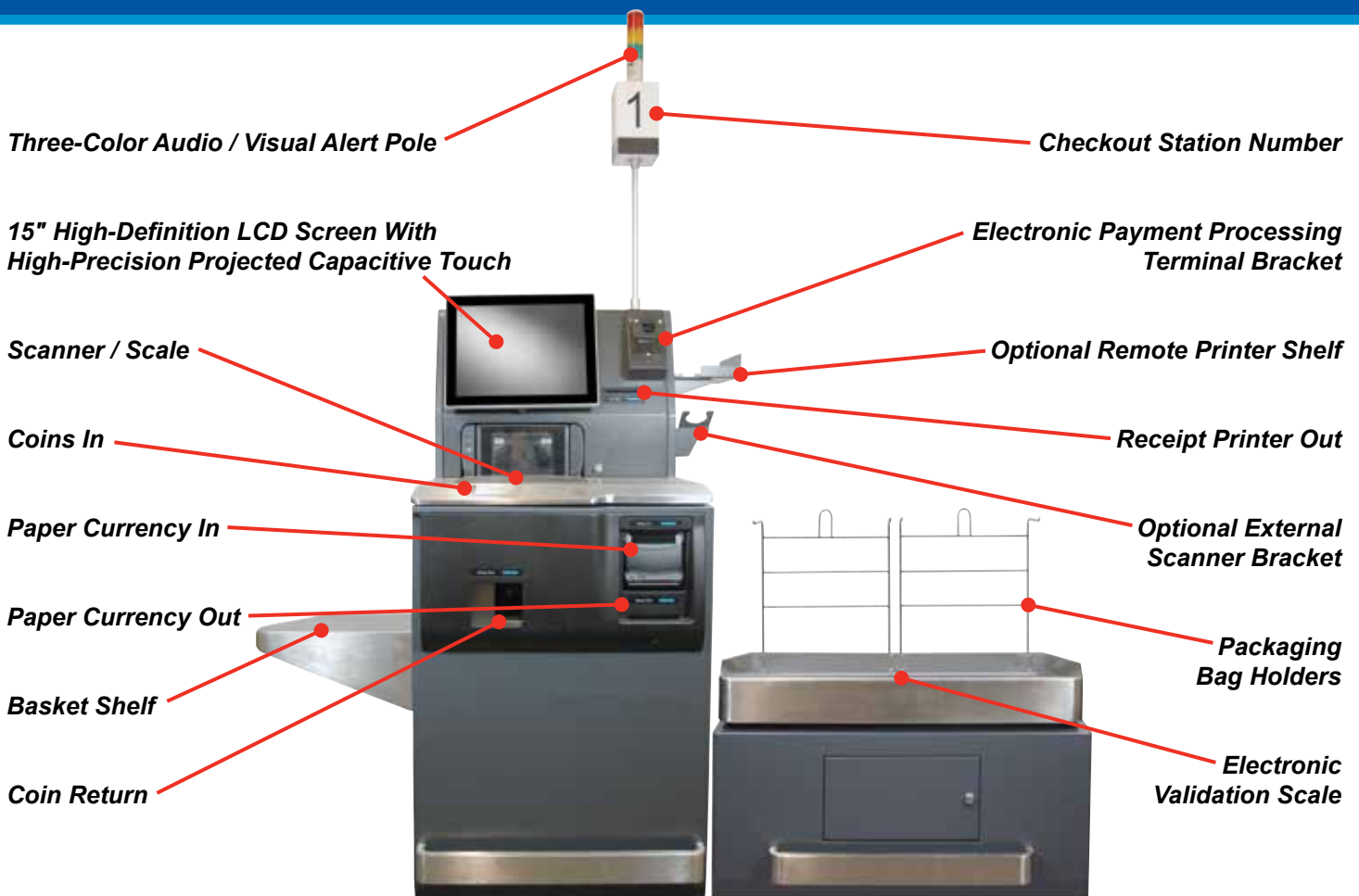
The fully-featured Hisense HS710 is a traditional large grocery form factor self-checkout solution, including currency and coin recycling options. Streamline and maximize customer checkout efficiency with easy-to-use, intuitive design. Increase retailer profit by increasing customer throughput and reducing labor costs.

- Intuitive design – easy to use, fast and convenient.
- Large printer paper roll minimizes downtime for paper changes.
- Safe and reliable cash or electronic payment processing.
- Coin and currency recycling options.
- 15" high-definition LCD screen with projected capacitive touch (PCT).
- Modular design – easy to customize and install.
- Equipped with an advanced electronic validation scale.
- SDK available.



Shown with optional electronic payment processing terminal bracket, remote printer bracket and hand-held scanner bracket. Use the payment terminal, remote printer and hand-held scanner of your choice.

HS710 Self Checkout System



Specifications

Hisense Model HS710

| | |
|-----------------------------|------------------------------|
| CPU: | Intel i3 6100U |
| Memory: | 8GB |
| Mass Storage Device: | 128GB 2.5" Solid State Drive |
| Serial Ports: | 6 |
| USB Ports: | 6 |

Hisense MD15VC Display

| | |
|---------------------|--------------------------------|
| Display LCD: | 15" High-Definition LCD Screen |
| Touch Panel: | Projected Capacitive Touch |

Datalogic Model Magellan 9300i Scanner / Scale

| | |
|---------------------|---|
| 1D Barcodes: | Supports Reading / Re-Reading of All Standard 1D Barcodes |
| 2D Barcodes: | Aztec Code / Data Matrix / QR Code / Micro QR Code |

| | |
|---------------------------|----------------------|
| Tone: | Adjustable Volume |
| Minimum Increment: | 0.010 lb. (0.005 kg) |

| | |
|------------------------|-----------------------------|
| Scale Capacity: | 0 - 30.0 lbs. (0 - 15.0 kg) |
|------------------------|-----------------------------|

Qlight Model ST45L Alert Pole

| | |
|---------------|----------------------|
| Color: | Red / Yellow / Green |
| Alert: | Audible Alarm |

High Capacity Thermal Kiosk Printer

| | |
|-------------------------|-------------------|
| Print Width: | 80mm |
| Emulations: | Custom / POS |
| Paper Thickness: | 63 ~ 88 µm |
| Print Speed: | 130mm per Second |
| Printhead Life: | 100Km |
| Cutter Life: | 1,000,000 Cuts |
| Barcode Type: | 1D Code / 2D Code |

Money Control BCR206 Coin Recycling Module

| | |
|-------------------------------|---|
| Processing Mode: | Accepts and Recycles Coins per Transaction |
| Number of Single Coin: | Up to 100 |
| Troubleshooting: | Smart Card / Coin Detection & Removal |
| Coin Replenishment: | Manual Coin Replenishment or Smart Coin Replenishment from the Coins Received |

MEI Model BNR Bill Recycling Module

| | |
|------------------------------|-------------|
| Cashbox Capacity: | 600 |
| Loader Cassette Cap.: | 250 |
| Bill Width: | 60~80mm |
| Bill Recycling Units: | 4 |
| Recycling Units Cap.: | 30 55 30 55 |

Tscale Model PB4560/PB6080 Electronic Validation Scale

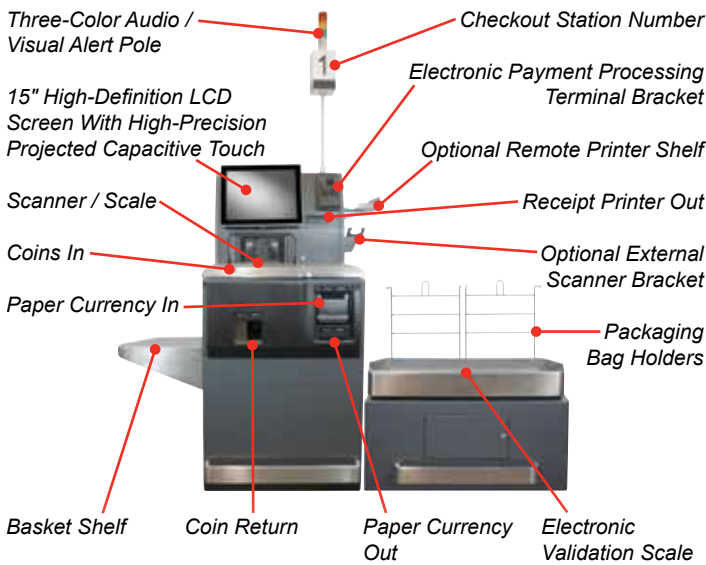
| | |
|-----------------------|---------------------------------|
| Range: | Up to 132.25 lbs. or 264.5 lbs. |
| Maximum Error: | .35 oz. |

Environmental Requirements

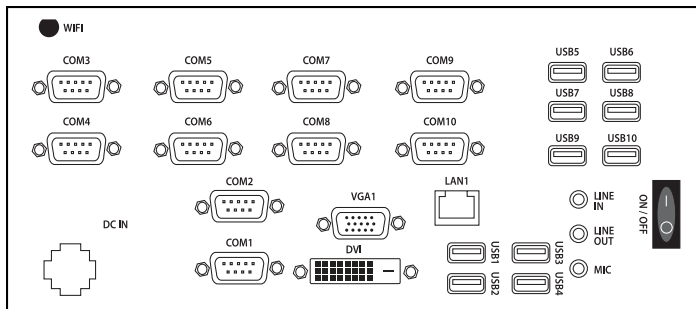
| | |
|-------------------------------|-------------------------------|
| Operating Voltage: | 88 ~ 264VAC |
| Power Consumption: | Average – 90W / Peak – 250W |
| Operating Temperature: | 50° ~ 104° F |
| Storage Temperature: | - 4° ~ 122° F |
| Operating Humidity: | 25% ~ 90% RH (Non-Condensing) |
| Storage Humidity: | 0% ~ 93% RH (Non-Condensing) |

HS710 Self Checkout System

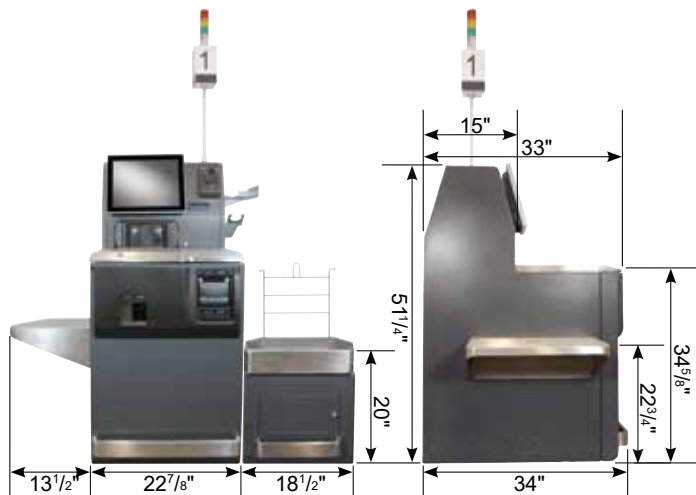
Features and Options



Connectivity



Dimensions



Specifications

Hisense Model HS710

| | |
|-----------------------------|------------------------------|
| CPU: | Intel J1900 |
| Memory: | 4GB |
| Mass Storage Device: | 128GB 2.5" Solid State Drive |
| Serial Ports: | 10 |
| USB Ports: | 10 |

Hisense MD15VC Display

| | |
|---------------------|--------------------------------|
| Display LCD: | 15" High-Definition LCD Screen |
| Touch Panel: | Projected Capacitive Touch |

Datalogic Model Magellan 9300i Scanner / Scale

| | |
|---------------------|---|
| 1D Barcodes: | Supports Reading / Re-Reading of All Standard 1D Barcodes |
| 2D Barcodes: | Aztec Code / Data Matrix / QR Code / Micro QR Code |

| | |
|---------------------------|-----------------------------|
| Tone: | Adjustable Volume |
| Minimum Increment: | 0.010 lb. (0.005 kg) |
| Scale Capacity: | 0 - 30.0 lbs. (0 - 15.0 kg) |

Qlight Model ST45L Alert Pole

| | |
|---------------|----------------------|
| Color: | Red / Yellow / Green |
| Alert: | Audible Alarm |

High Capacity Thermal Kiosk Printer

| | |
|-------------------------|-------------------|
| Print Width: | 80mm |
| Emulations: | Custom / POS |
| Paper Thickness: | 63 ~ 88 µm |
| Print Speed: | 130mm per Second |
| Printhead Life: | 100Km |
| Cutter Life: | 1,000,000 Cuts |
| Barcode Type: | 1D Code / 2D Code |

Money Control BCR206 Coin Recycling Module

| | |
|-------------------------------|---|
| Processing Mode: | Accepts and Recycles Coins per Transaction |
| Number of Single Coin: | Up to 100 |
| Troubleshooting: | Smart Card / Coin Detection & Removal |
| Coin Replenishment: | Manual Coin Replenishment or Smart Coin Replenishment from the Coins Received |

MEI Model BNR Bill Recycling Module

| | |
|------------------------------|-------------|
| Cashbox Capacity: | 600 |
| Loader Cassette Cap.: | 250 |
| Bill Width: | 60~80mm |
| Bill Recycling Units: | 4 |
| Recycling Units Cap.: | 30 55 30 55 |

Tscale Model PB4560/PB6080 Electronic Validation Scale

| | |
|-----------------------|---------------------------------|
| Range: | Up to 132.25 lbs. or 264.5 lbs. |
| Maximum Error: | .35 oz. |

Environmental Requirements

| | |
|-------------------------------|------------------------------|
| Operating Voltage: | 88 ~ 264VAC |
| Power Consumption: | Average - 90W / Peak - 250W |
| Operating Temperature: | 50° ~ 104° F |
| Storage Temperature: | - 4° ~ 122° F |
| Operating Humidity: | 25% ~ 90% (Non-Condensing) |
| Storage Humidity: | 0% ~ 93% RH (Non-Condensing) |